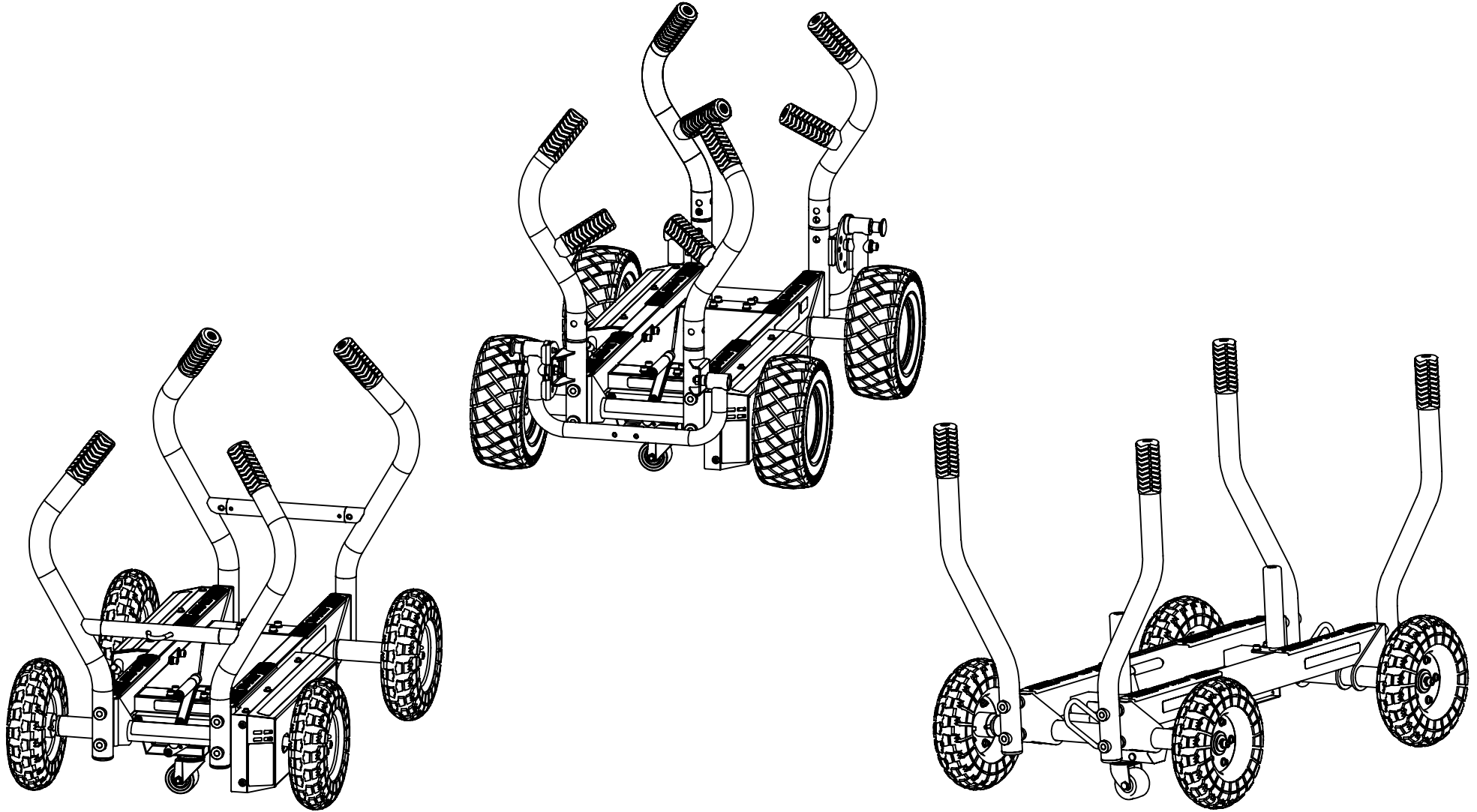


TANK SWIVEL ATTACHMENT ASSEMBLY GUIDE

VERSION: XTSA-101

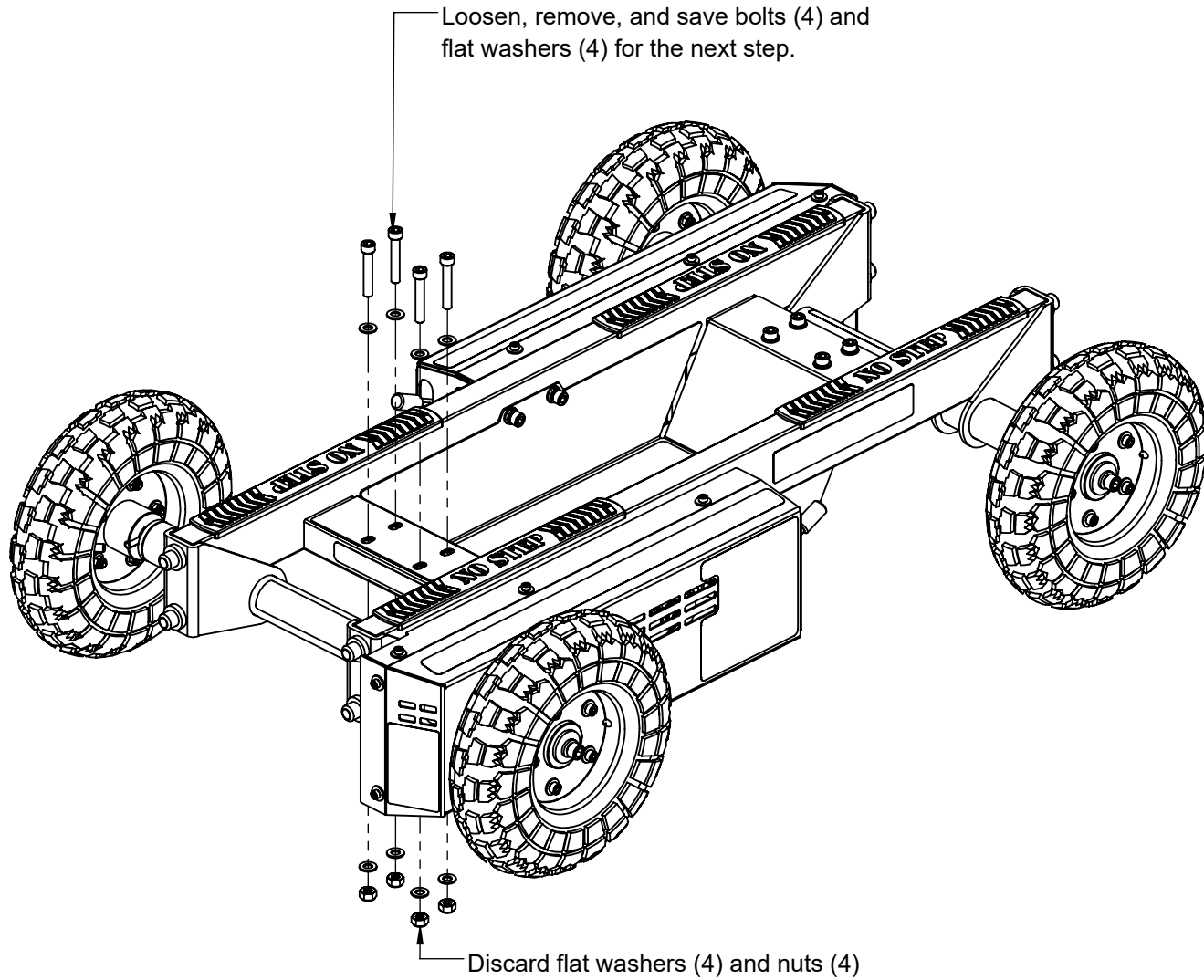
PART #: 5894201-A

COMPATIBLE WITH: XTTM4, XTTMX, AND XTTM2



TORQUE USA

XTTM4 ASSEMBLY

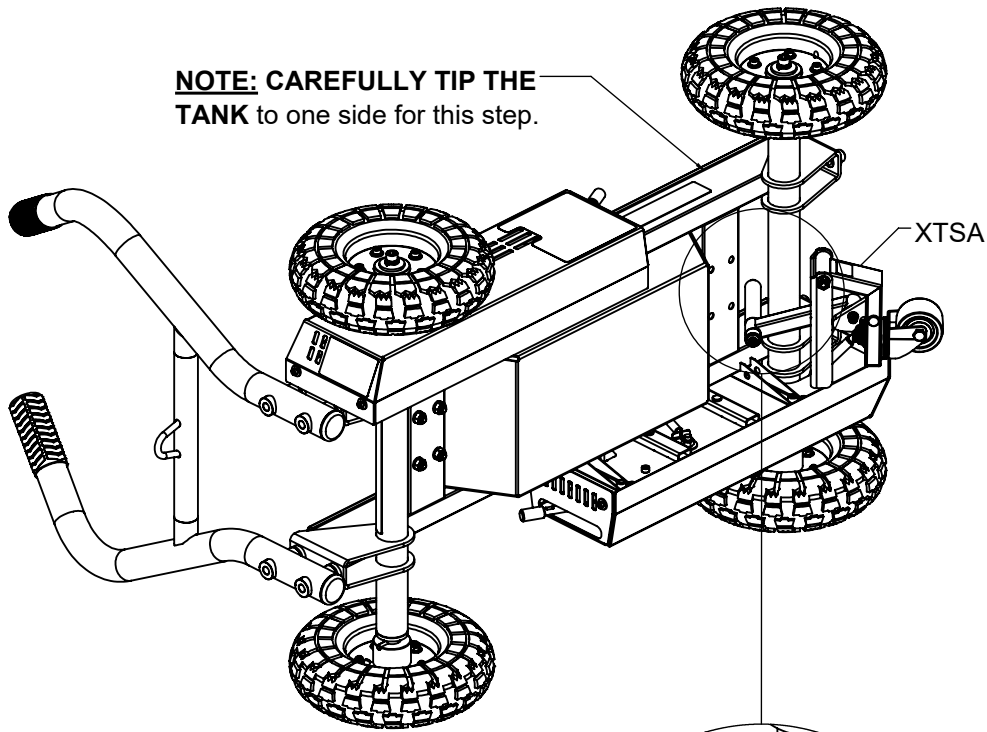


NOTE:

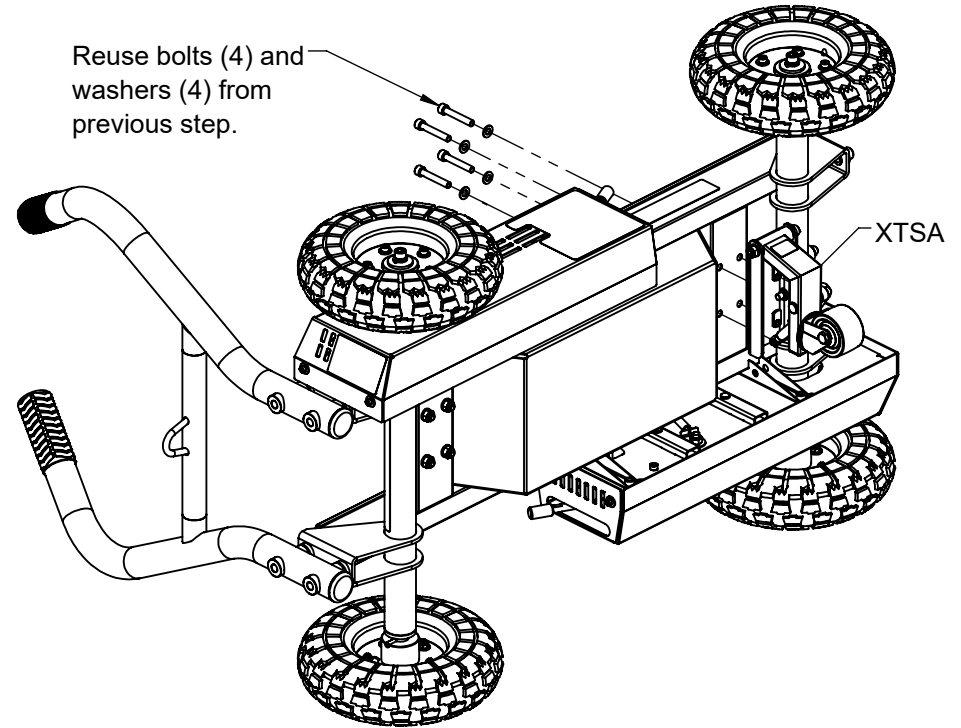
Handles have been hidden for assembly clarity.

XTTM4 ASSEMBLY

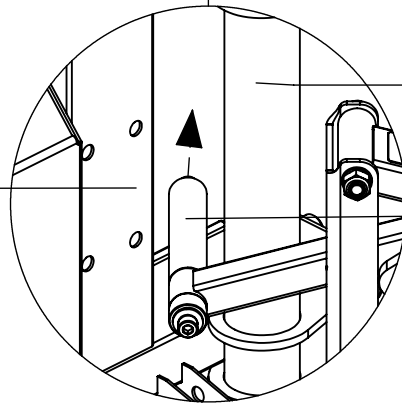
NOTE: CAREFULLY TIP THE TANK to one side for this step.



Reuse bolts (4) and washers (4) from previous step.



TANK FRAME



TANK AXLE

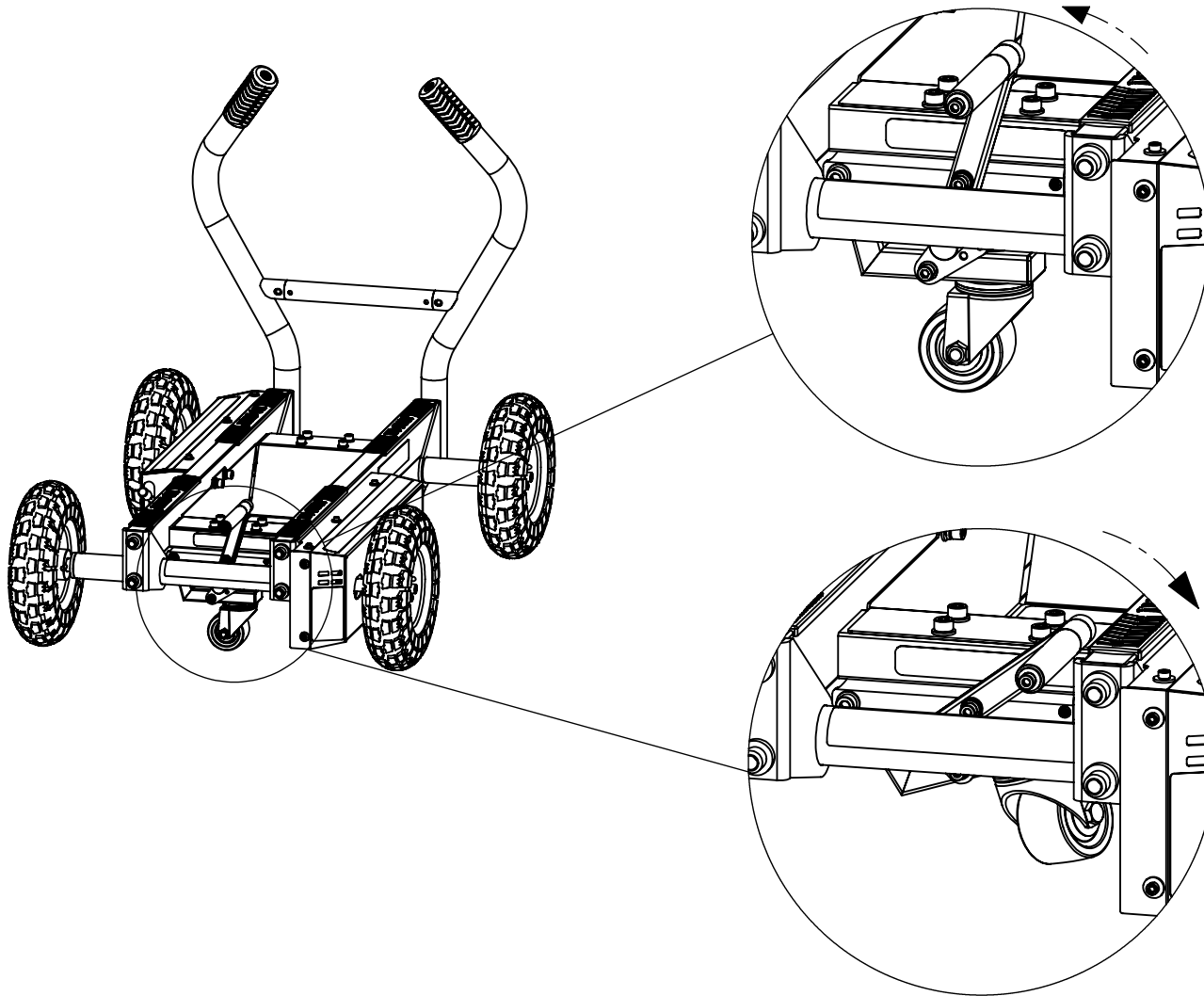
NOTE: Angle Tank swivel attachment so that the handle fits between the axle and frame of the Tank.

NOTE:

SECURELY tighten all bolt connections in this step.

Handles have been hidden for assembly clarity.

XTTM4 ASSEMBLY



NOTE

To engage Tank Swivel, Lift up on handle.

The Tank Swivel Attachment allows for improved steering and turning between exercises. **DO NOT TRAIN OR EXERCISE WITH THE SWIVEL ENGAGED.**

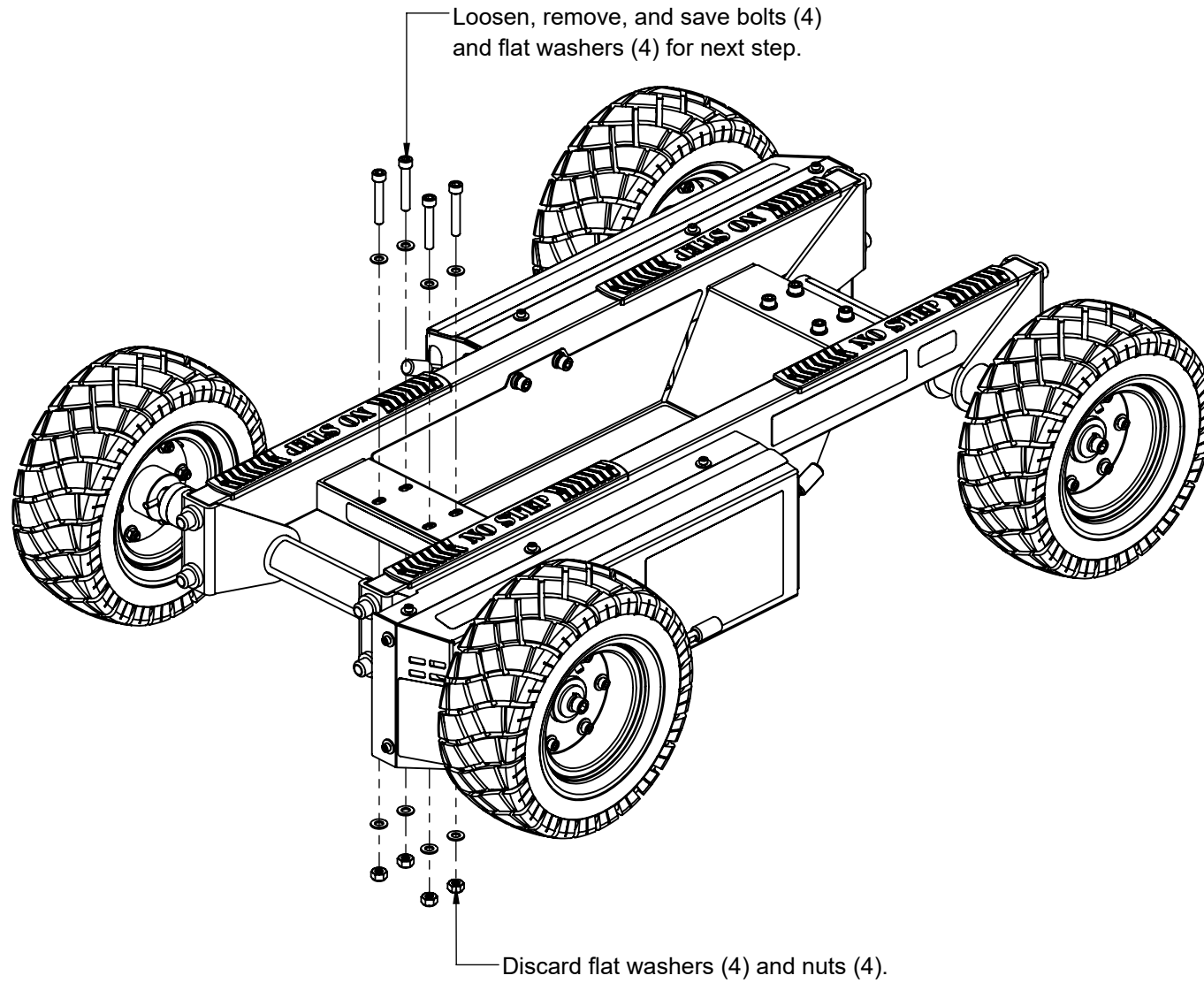
NOTE

To disengage Tank Swivel, press down on handle.

NOTE:

Handles have been hidden for assembly clarity.

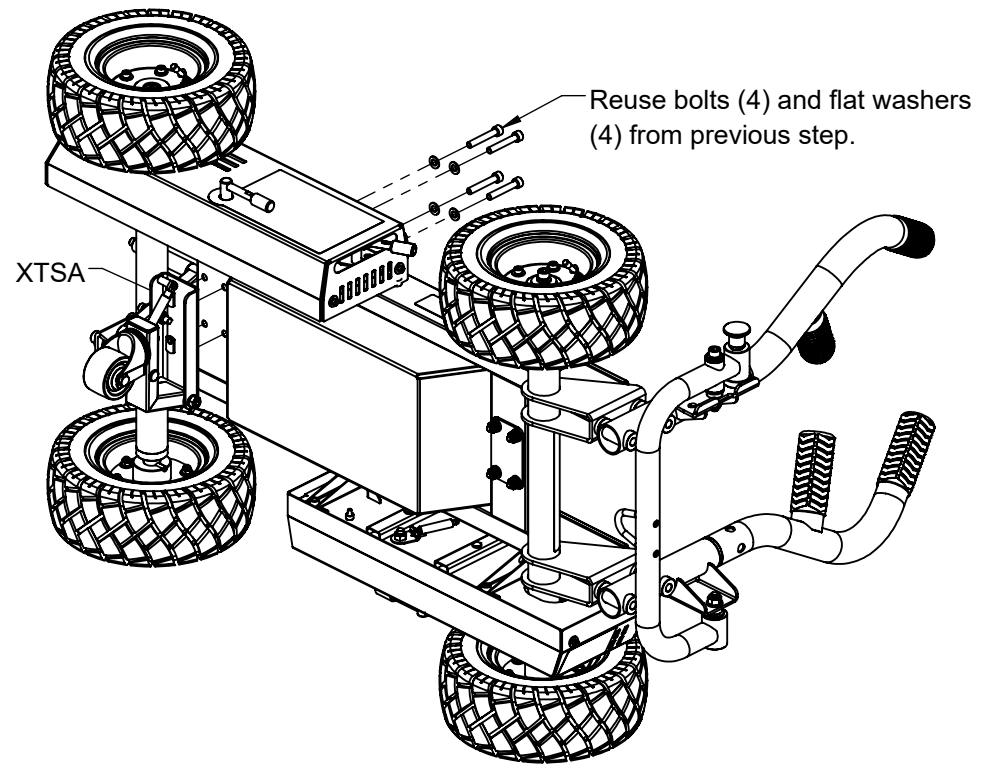
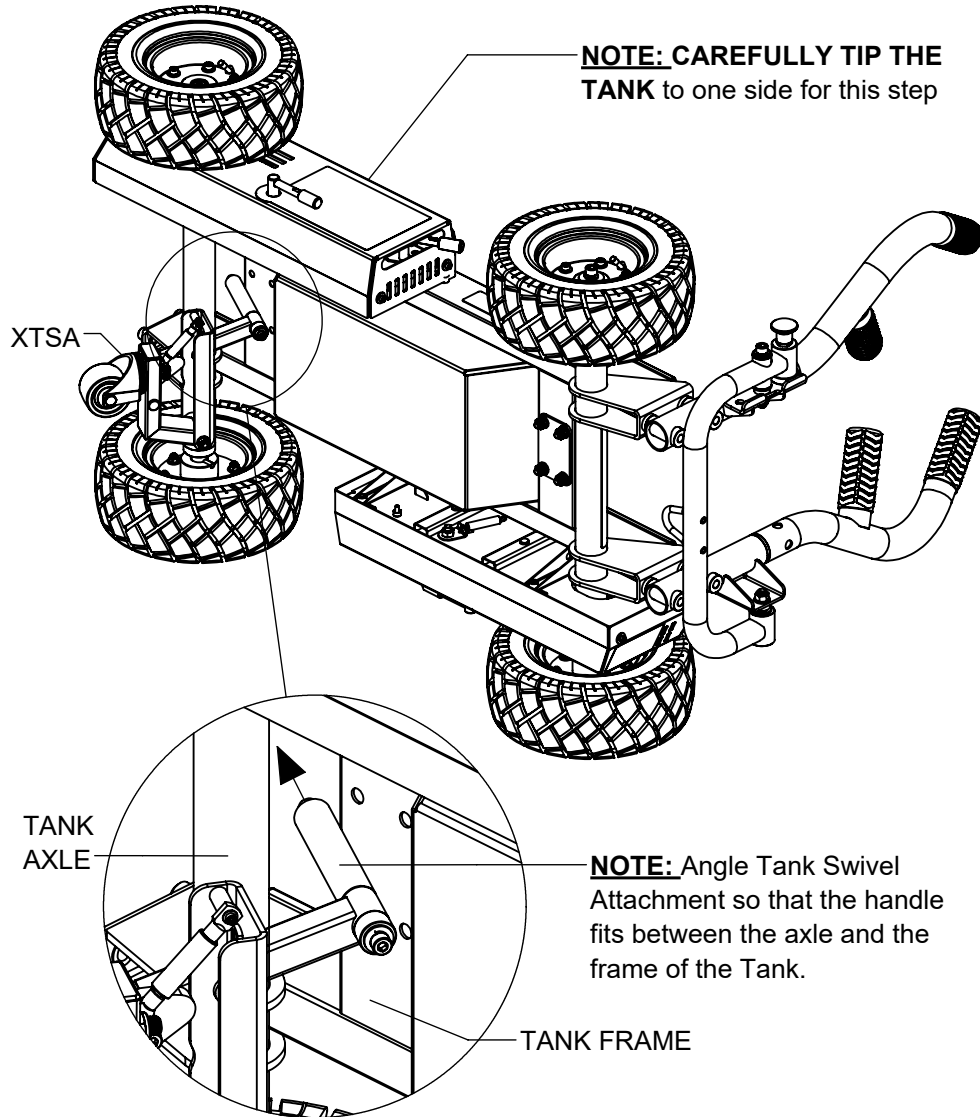
XTTMX ASSEMBLY



NOTE:

Handles have been hidden for assembly clarity.

XTTMX ASSEMBLY

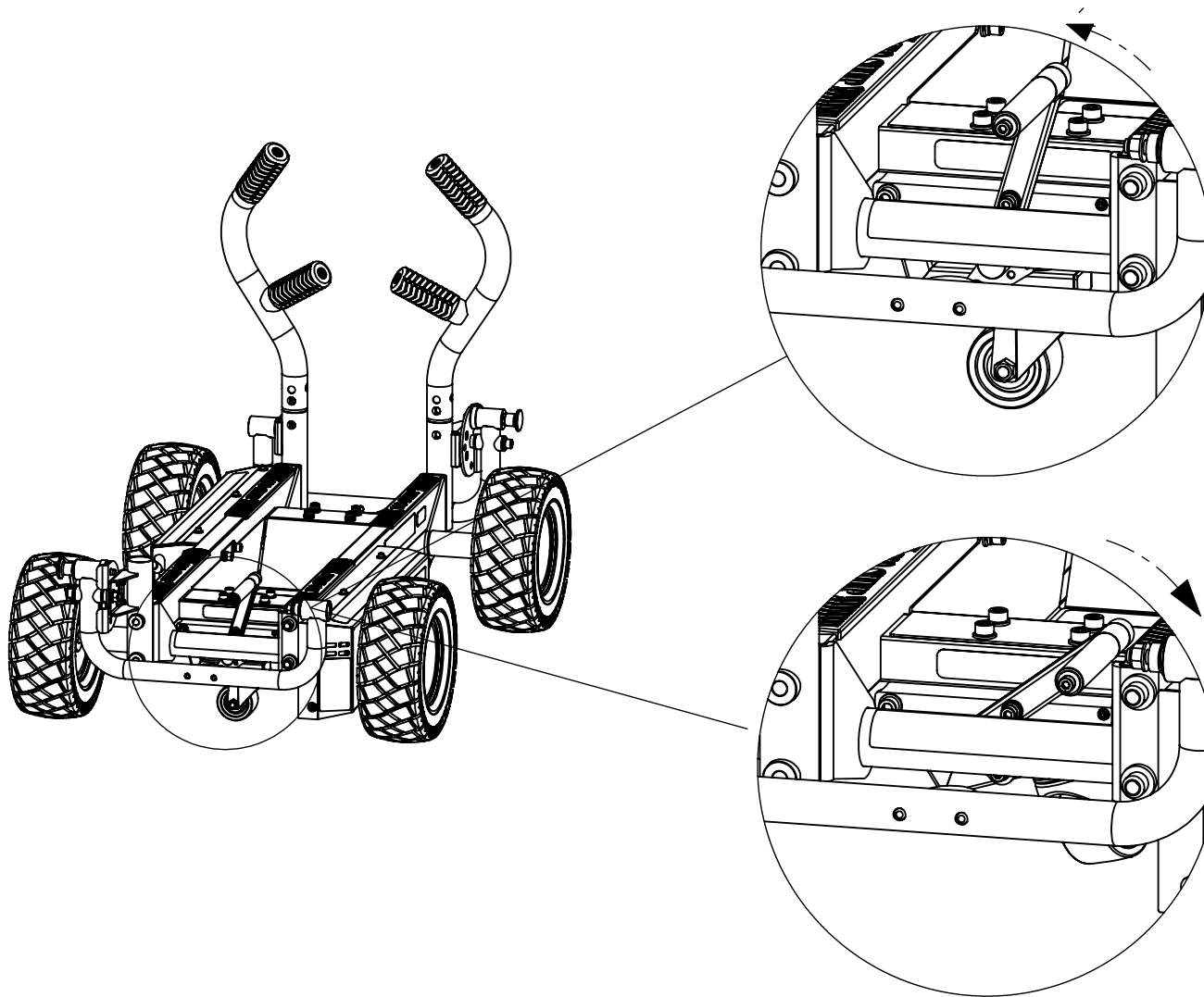


NOTE:

SECURELY tighten all bolt connections in this step.

Handles have been hidden for assembly clarity.

XTTMX ASSEMBLY



NOTE:

To engage Tank Swivel, lift up on handle.

The Tank Swivel Attachment allows for improved steering and turning between exercises. **DO NOT TRAIN OR EXERCISE WITH THE SWIVEL ENGAGED.**

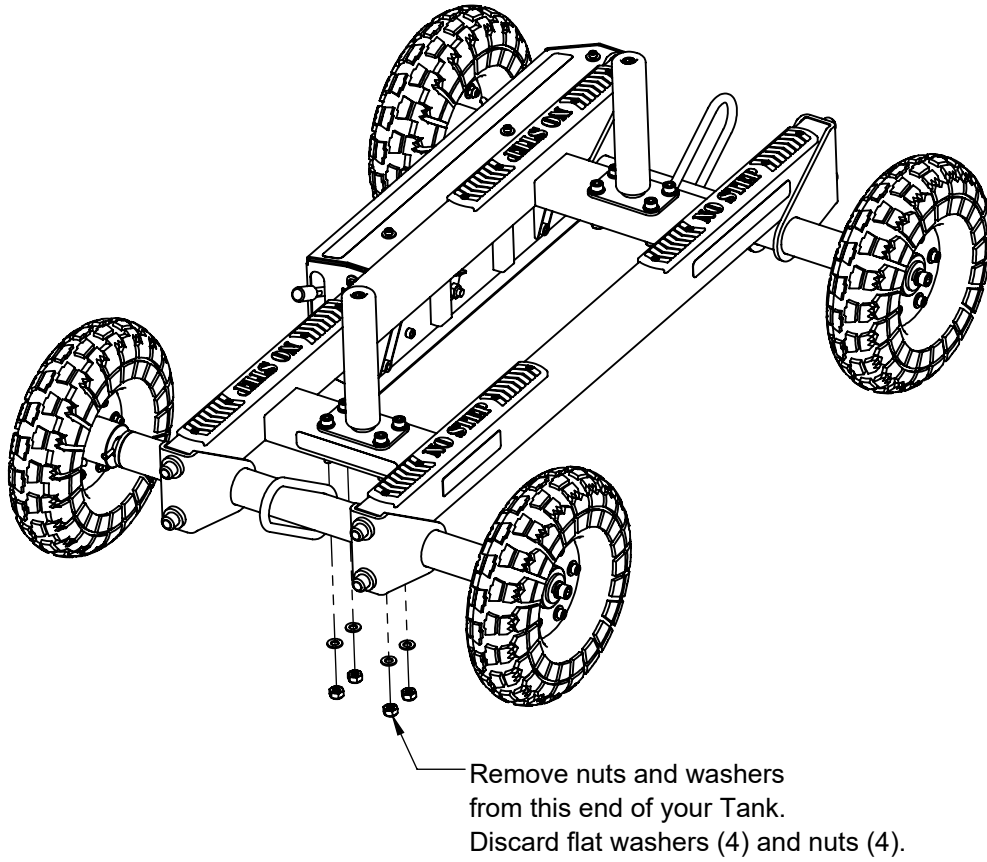
NOTE:

To disengage Tank Swivel, press down on handle.

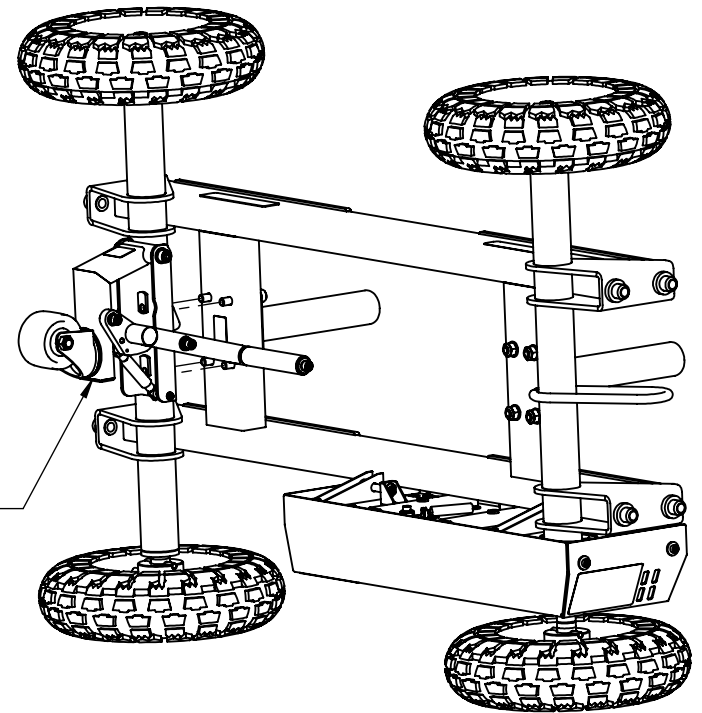
NOTE:

Handles have been hidden for assembly clarity.

XTTM2 ASSEMBLY



Position Tank swivel attachment as shown and tighten bolts.



NOTE:

Handles have been hidden for assembly clarity.