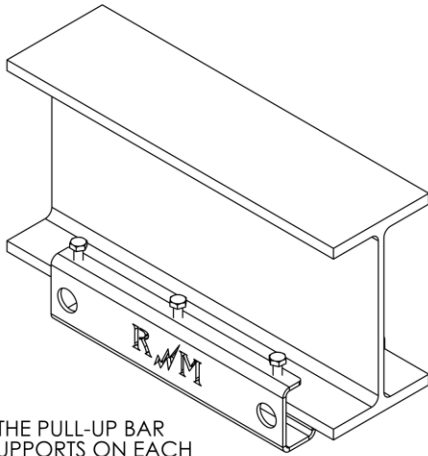


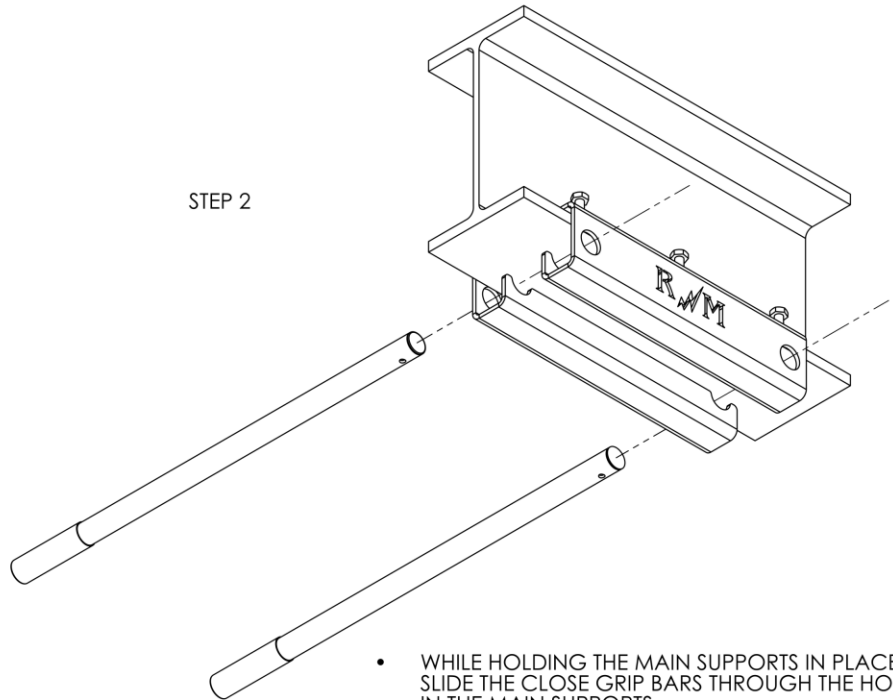
Reflex Pull-Up Bar – Installation

STEP 1



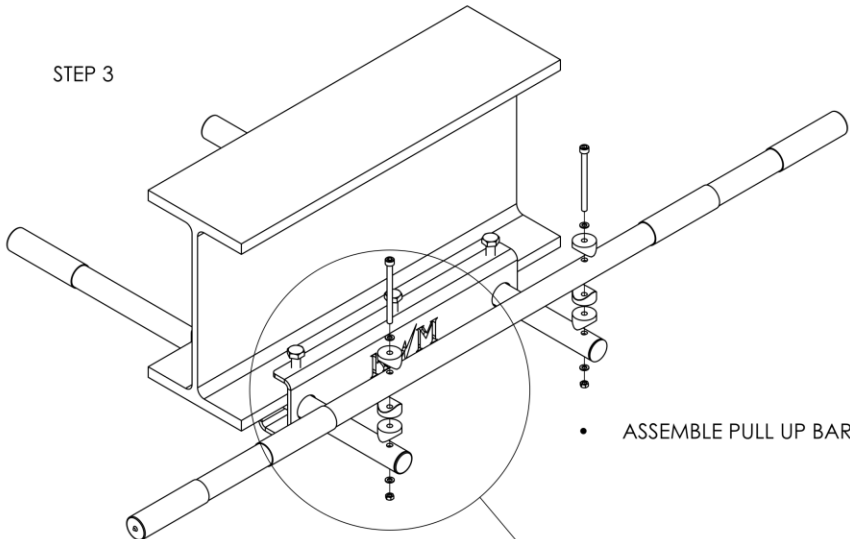
- PLACE THE PULL-UP BAR MAIN SUPPORTS ON EACH SIDE OF THE I-BEAM.
- SLIDE THEM BOTH AS FAR IN AS THEY WILL GO.

STEP 2



- WHILE HOLDING THE MAIN SUPPORTS IN PLACE, SLIDE THE CLOSE GRIP BARS THROUGH THE HOLES IN THE MAIN SUPPORTS.
- FINGER TIGHTEN THE 6 BOLTS ON THE MAIN SUPPORT.

STEP 3



• ASSEMBLE PULL UP BAR AS SHOWN

STEP 4

