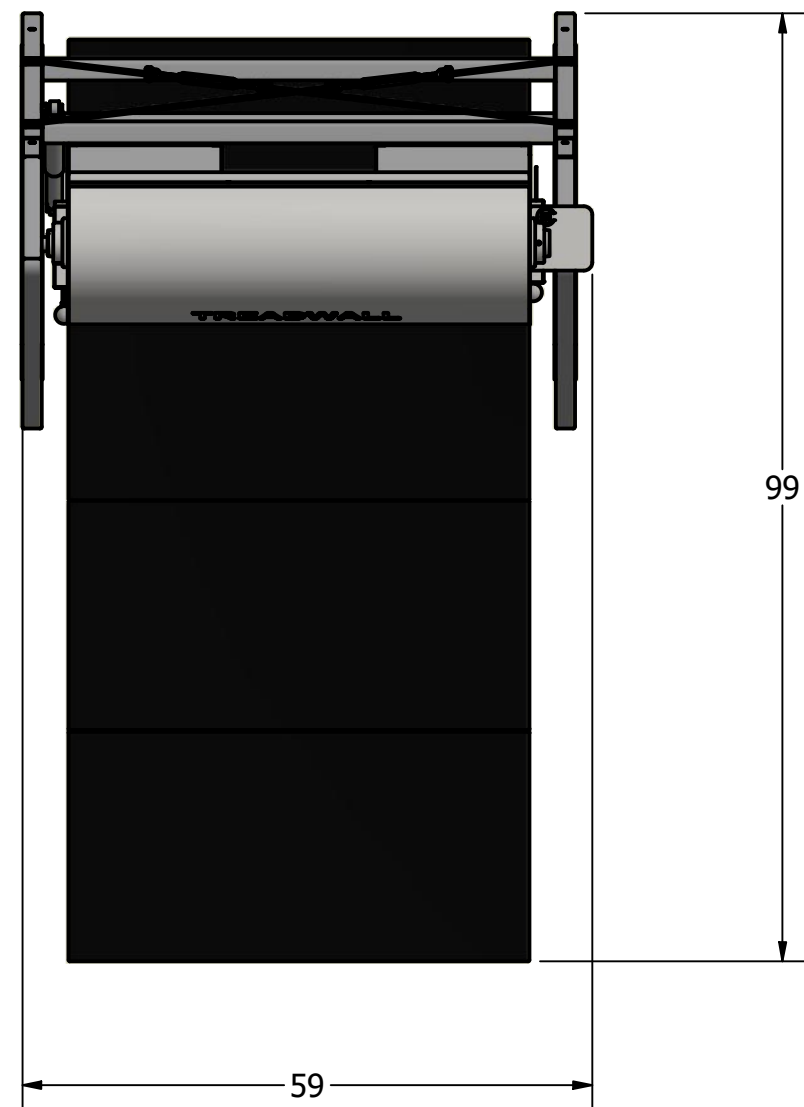
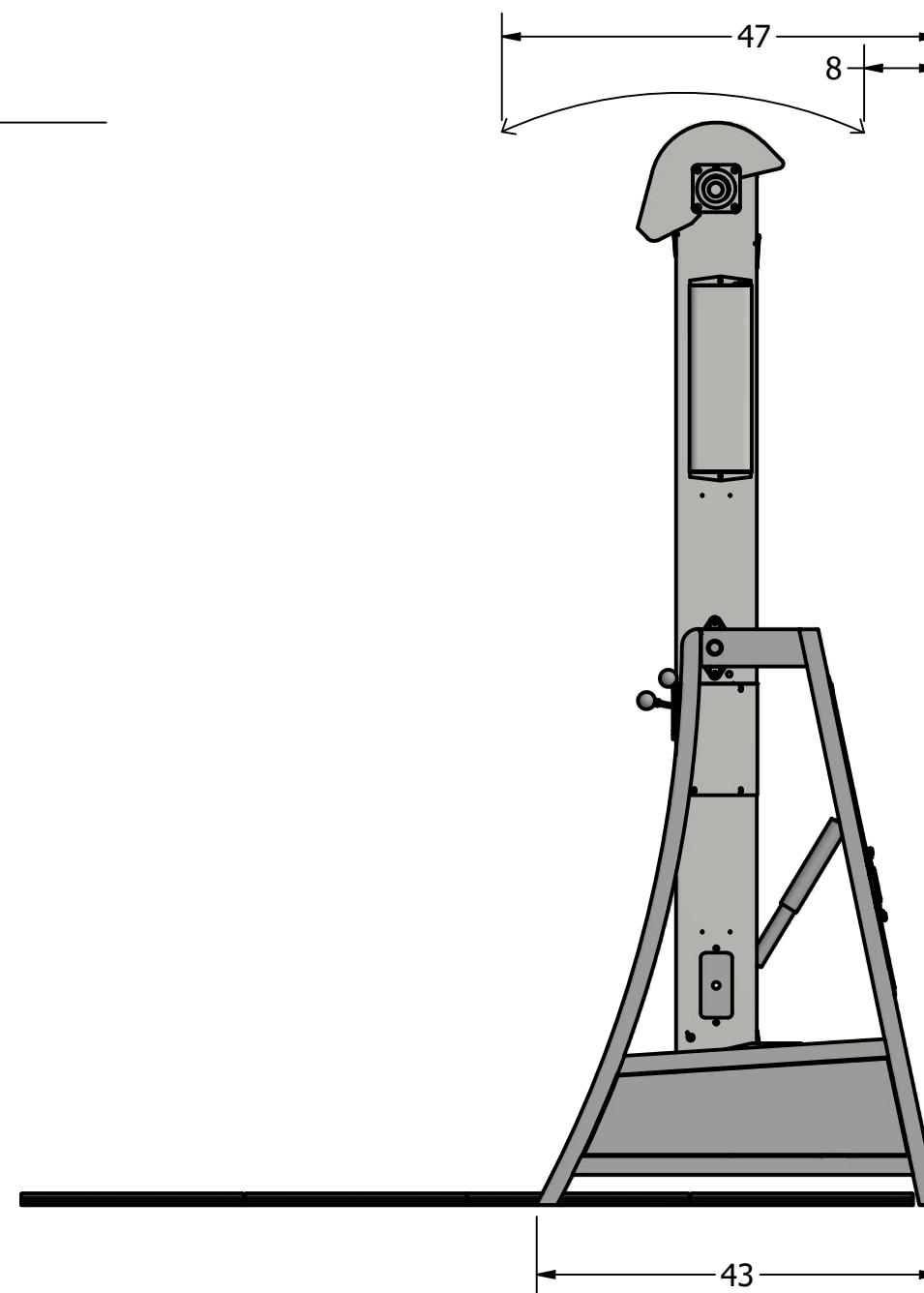
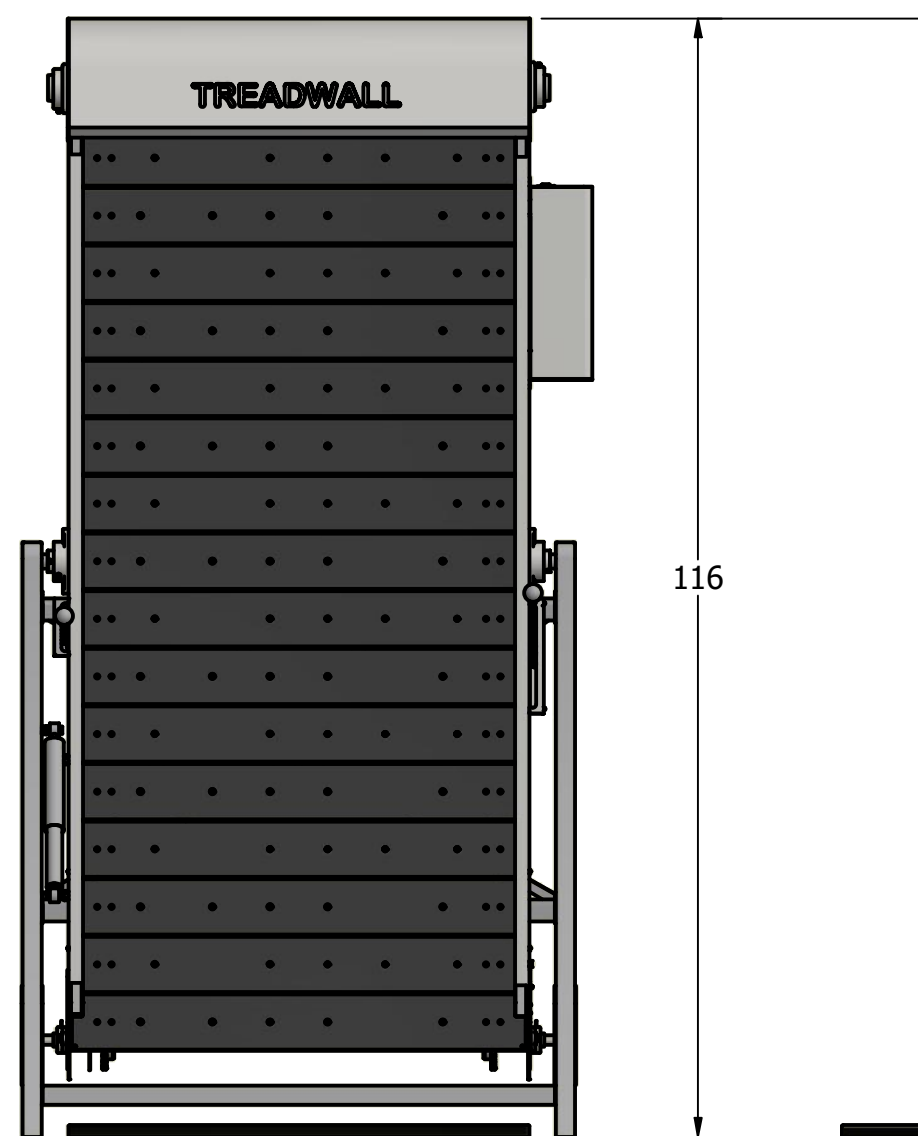
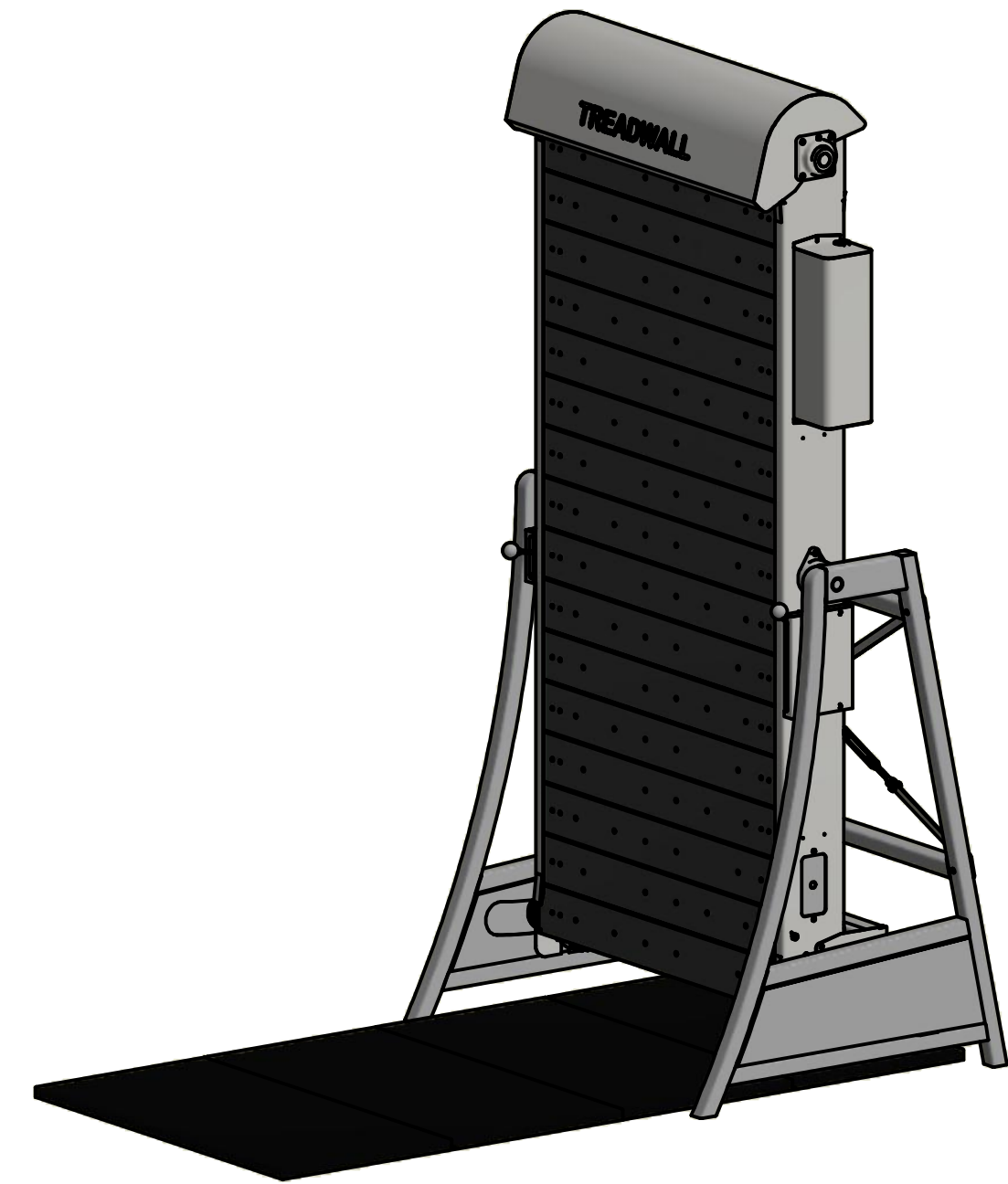


Treadwall® S4/10 Rotating Walls



The Treadwall S4/10 has one of the smallest footprints we produce, designed for smaller spaces and lower ceilings. The compact Treadwall S4/10 features a 4 foot wide by 8 foot tall climbing surface and ample angle range. The wall's rotation is powered by the climber's weight - no motors are used. The angle of the surface is adjusted by a lever mounted on the left side. A second lever mounted on the right side adjusts the speed to suit the user, and a patented auto-stop^(tm) mechanism matches the movement of the wall to the climber's movements, gently braking when the climber's feet are at the bottom panel. The S4/10 is designed to fit under a 10 foot ceiling. See the S4/11 and S4/12 units for higher ceilings.



SPECIFICATIONS:

Weight: 850 pounds.

Construction: Steel framework with custom-machined wood panels.

Placement: Inside standard - outside with exterior upgrade.

Width of climbing surface: 4 feet.

Total length of climbing surface: 18 feet.

Number of possible hold placements: 144.

Angle range: positive 10 degrees to negative 15 degrees (overhanging).

Mode of control: Electro-hydraulic braking and resistance.

Electrical requirements: 9 VDC (1500ma) Plug-in transformer (supplied) or battery used.

Electronic Display: Measures distance (feet or meters), time and calories.

Time and distance goals can be pre-set.

Color - frame: Anthracite Gray is standard. Custom colors available.

Color - panels: Natural Wood

Holds: Set of 36 custom training holds in 3 color groups, with optional 13 ladder Line^(tm) holds.

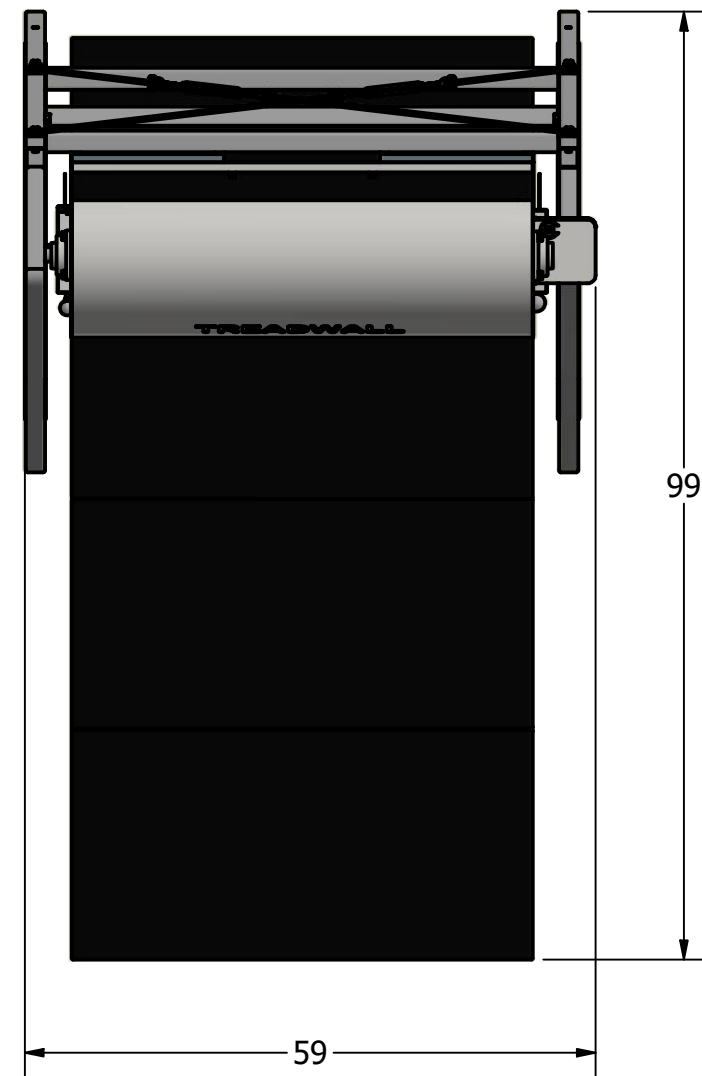
Maximum hold size: 2.5 inches high by 6 inches wide.

Floor Mat: 8 feet x 4 feet custom mat, 1.25 inches dual foam, black 14 oz. vinyl cover.

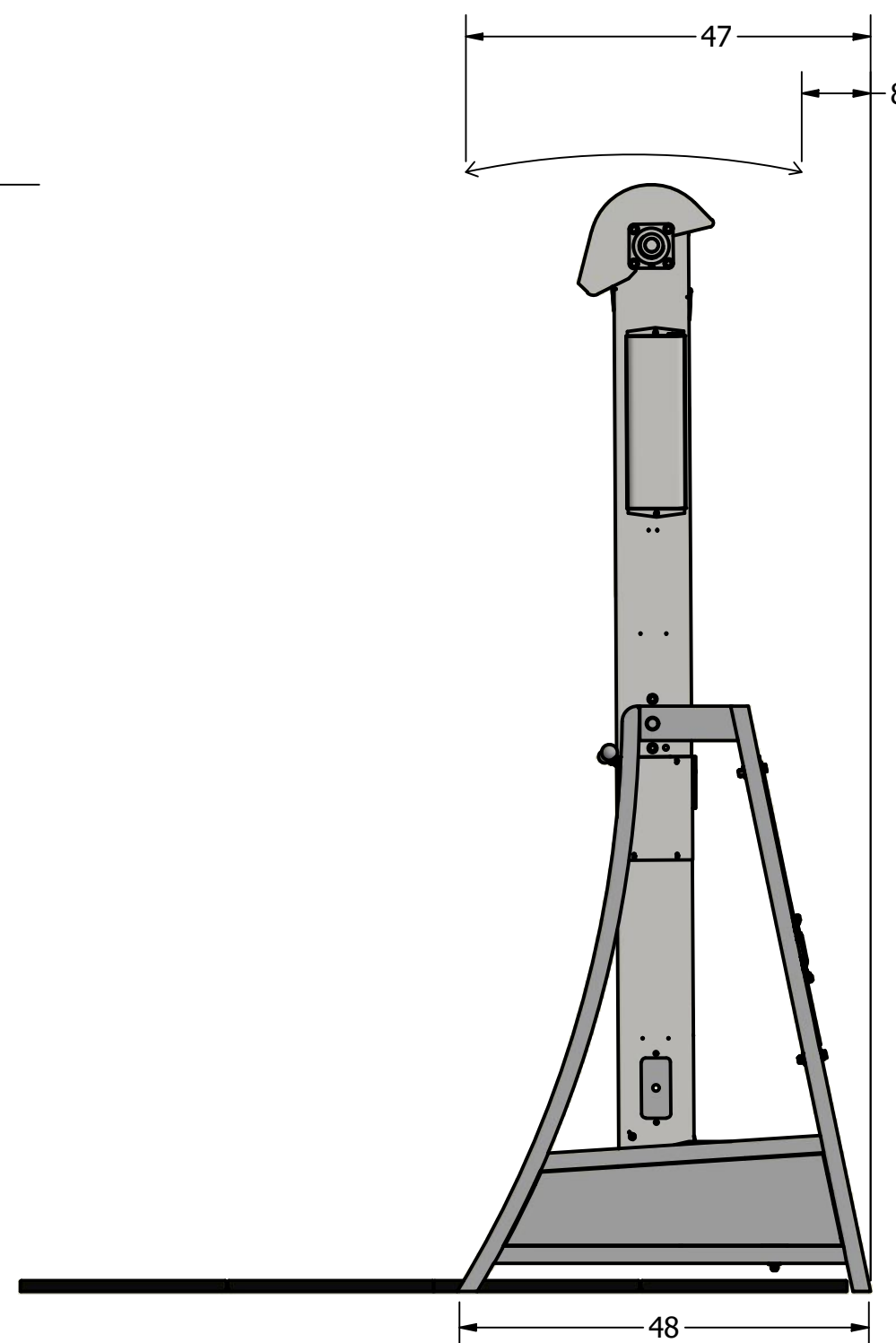
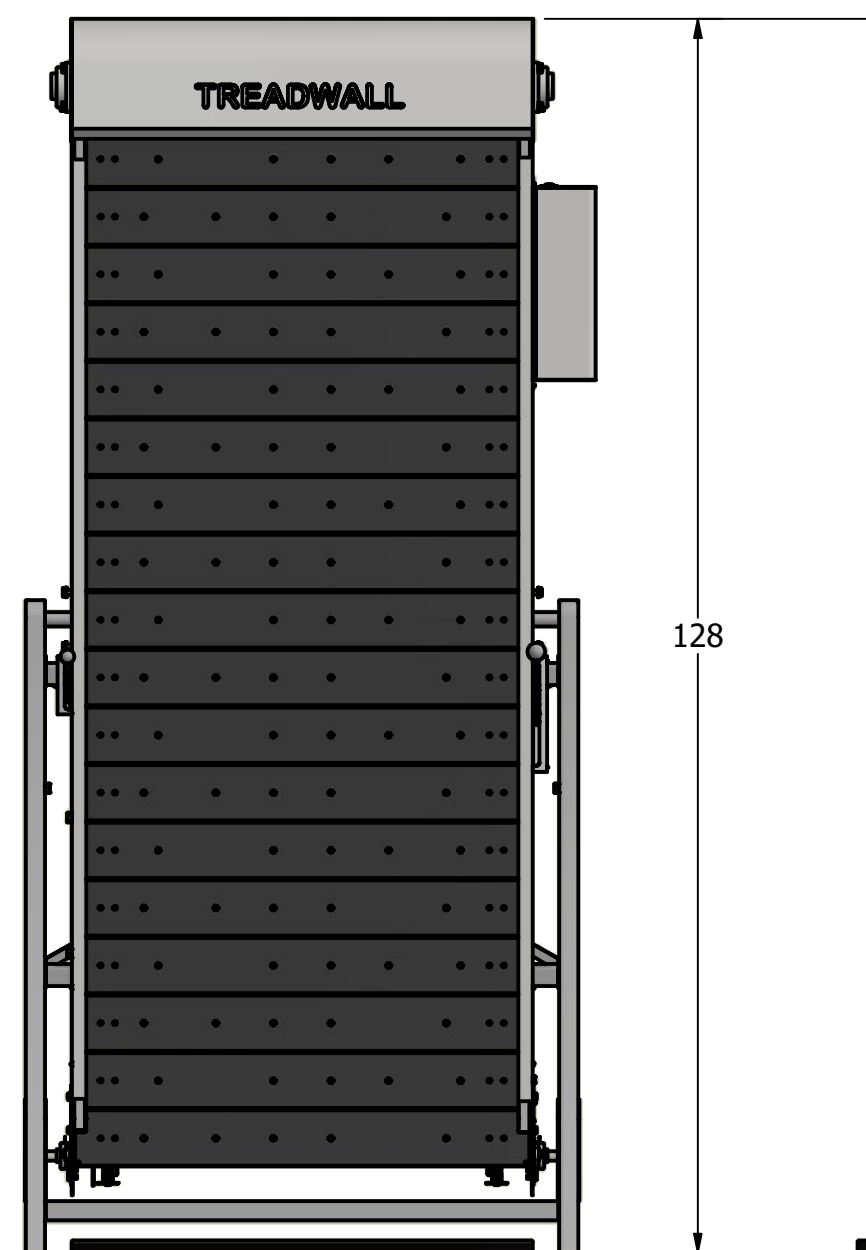
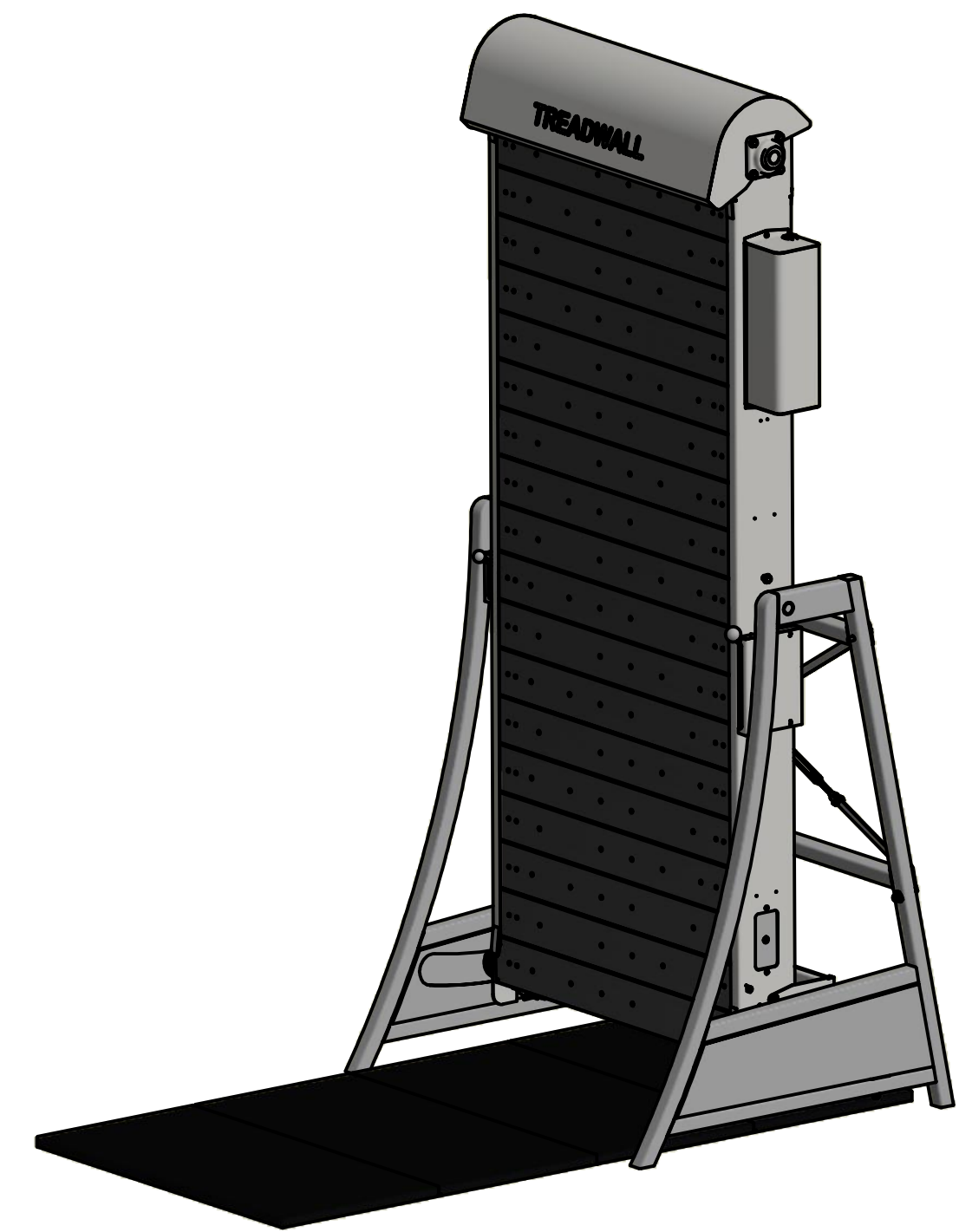
Warranty: Six years parts, one year electronics and labor.

See full warranty for details.

Treadwall® S4/11 Rotating Walls



The Treadwall S4/11 is designed with smaller spaces in mind, combining a small footprint with a 4 foot wide by 9 foot high climbing surface, and ample angle range. The wall's rotation is powered by the climber's weight - no motors are used. The angle of the surface is adjusted by a lever mounted on the left side. A second lever mounted on the right side adjusts the speed to suit the user, and a patented auto-stop^(tm) mechanism matches the movement of the wall to the climber's movements, gently braking when the climber's feet are at the bottom panel. The S4/11 is designed to fit under an 11 foot ceiling. See the S4/10 for lower ceilings and S4/12 units for higher ceilings.



SPECIFICATIONS:

Weight: 900 pounds.

Construction: Steel framework with custom-machined wood panels.

Placement: Inside standard - outside with exterior upgrade.

Width of climbing surface: 4 feet.

Total length of climbing surface: 20 feet.

Number of possible hold placements: 160.

Angle range: positive 10 degrees to negative 15 degrees (overhanging).

Mode of control: Electro-hydraulic braking and resistance.

Electrical requirements: 9 VDC (1500ma) Plug-in transformer (supplied) or battery used.

Electronic Display: Measures distance (feet or meters), time and calories.

Time and distance goals can be pre-set.

Color - frame: Anthracite Gray is standard. Custom colors available.

Color - panels: Natural Wood

Holds: Set of 36 custom training holds in 3 color groups, with optional 13 ladder Line^(tm) holds.

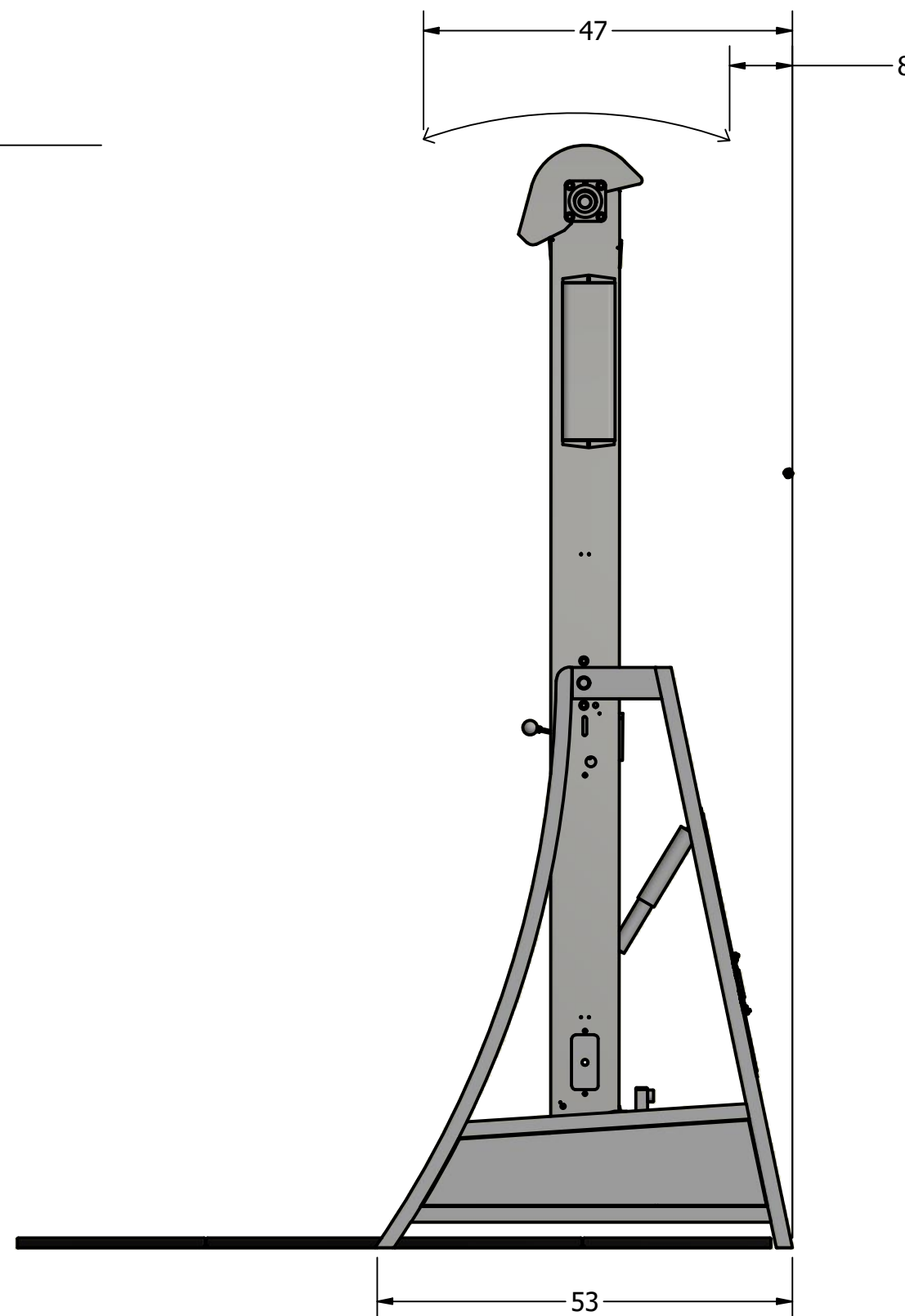
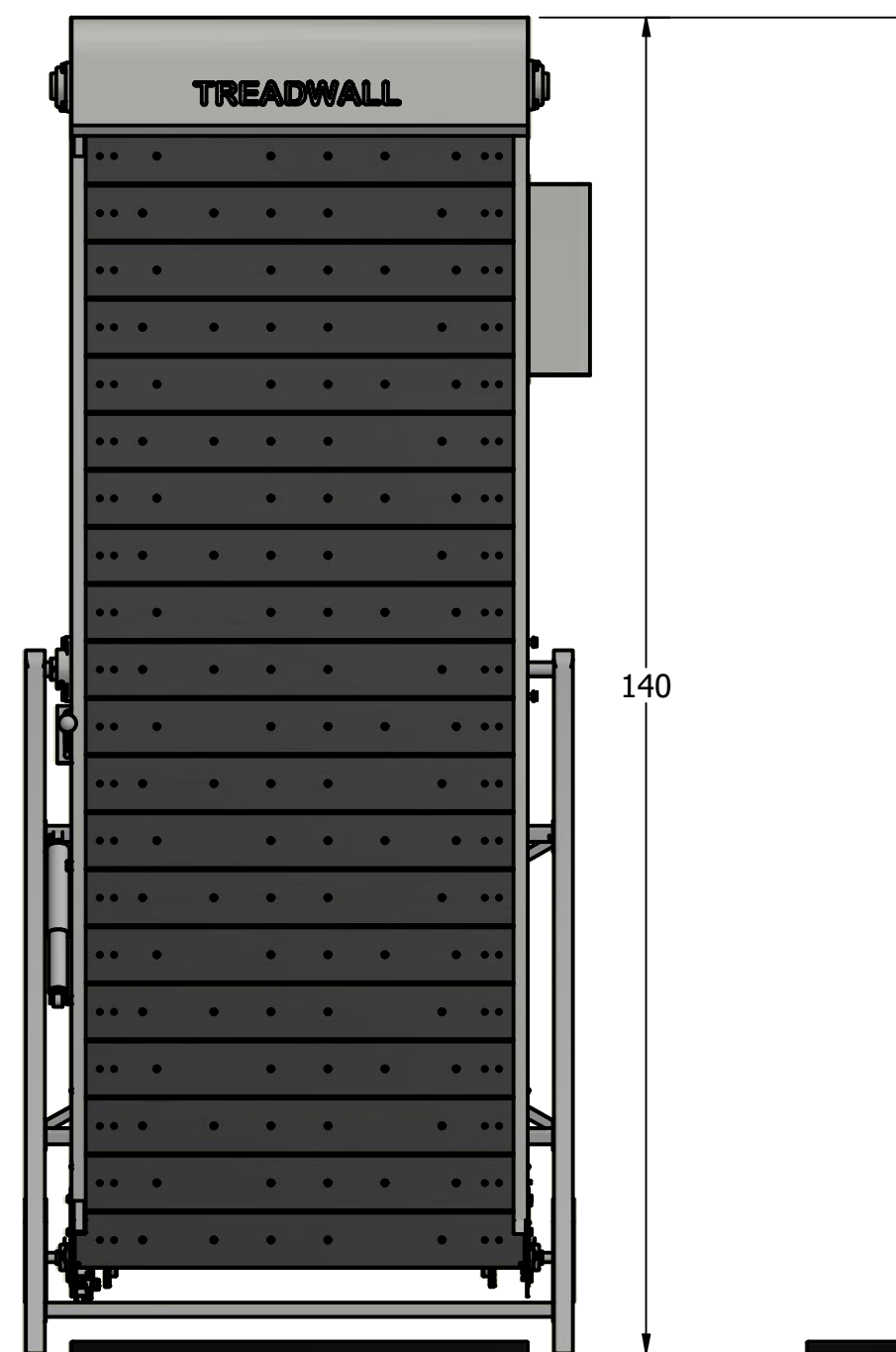
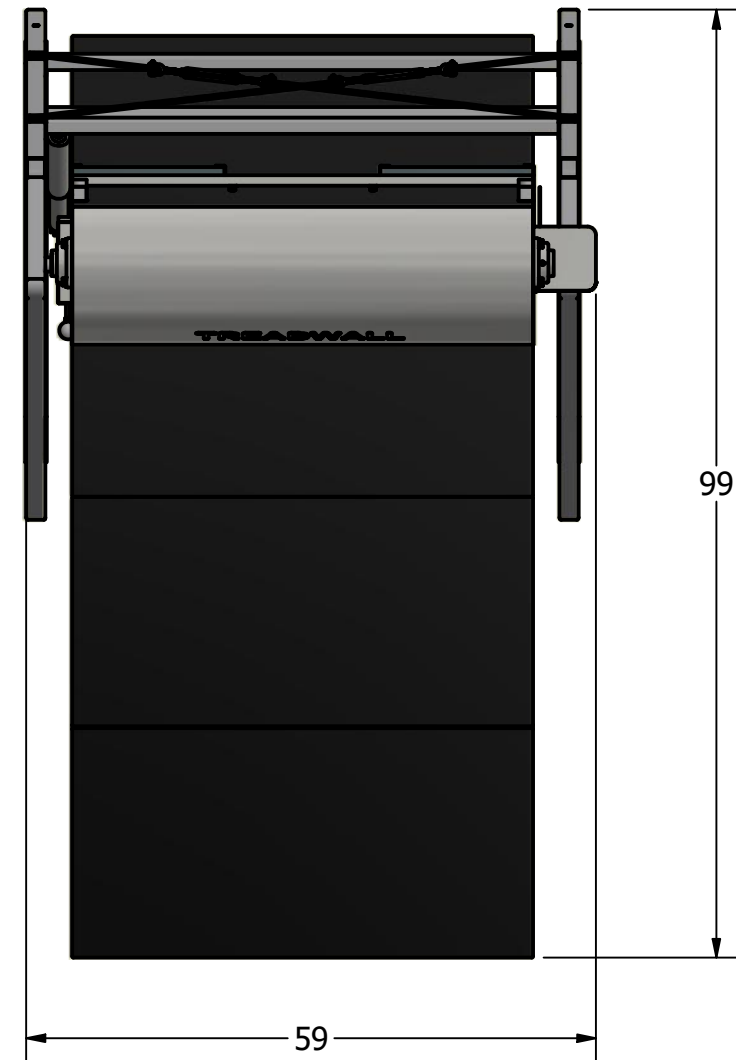
Maximum hold size: 2.5 inches high by 6 inches wide.

Floor Mat: 8 feet x 4 feet custom mat, 1.25 inches dual foam, black 14 oz. vinyl cover.

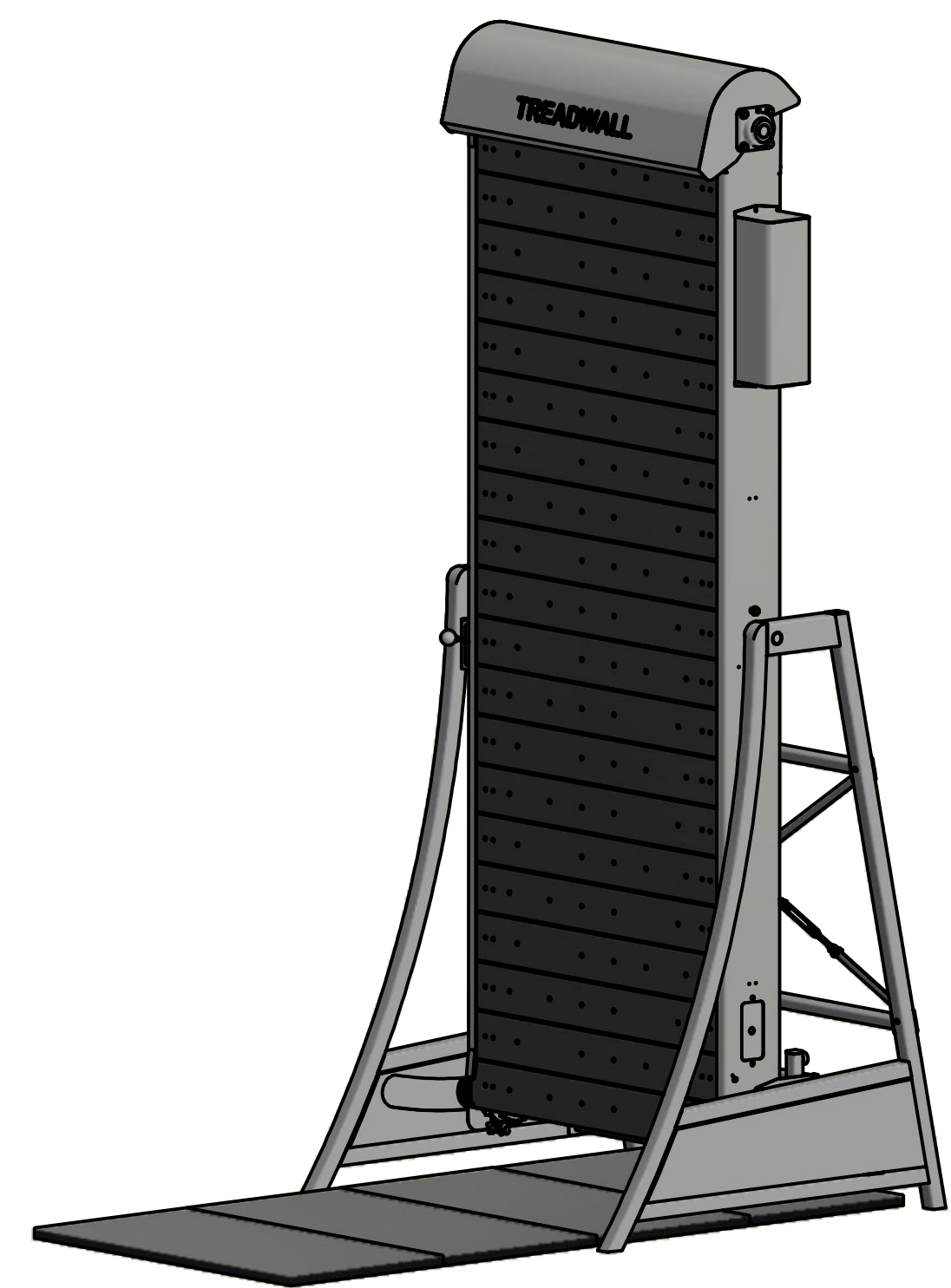
Warranty: Six years parts, one year electronics and labor.

See full warranty for details.

Treadwall® S4/12 Rotating Walls



The Treadwall S4/12 has one of the smallest footprints we produce, combined with the tallest climbing surface we offer. At this height, the Treadwall S4/12 features a 4 foot wide by 10 foot tall climbing surface. The wall's rotation is powered by the climber's weight - no motors are used. The angle of the surface is adjusted by a lever mounted on the left side. A second lever mounted on the right side adjusts the speed to suit the user, and a patented auto-stop^(tm) mechanism matches the movement of the wall to the climber's movements, gently braking when the climber's feet are at the bottom panel. The S4/12 is designed to fit under a 12 foot ceiling. See the S4/10 and S4/11 units for lower ceilings.



SPECIFICATIONS:

Weight: 925 pounds.

Construction: Steel framework with custom-machined wood panels.

Placement: Inside standard - outside with exterior upgrade.

Width of climbing surface: 4 feet.

Total length of climbing surface: 22 feet.

Number of possible hold placements: 176.

Angle range: positive 10 degrees to negative 15 degrees (overhanging).

Mode of control: Electro-hydraulic braking and resistance.

Electrical requirements: 9 VDC (1500ma) Plug-in transformer (supplied) or battery used.

Electronic Display: Measures distance (feet or meters), time and calories.

Time and distance goals can be pre-set.

Color - frame: Anthracite Gray is standard. Custom colors available.

Color - panels: Natural Wood

Holds: Set of 36 custom training holds in 3 color groups, with optional 13 ladder Line^(tm) holds.

Maximum hold size: 2.5 inches high by 6 inches wide.

Floor Mat: 8 feet x 4 feet custom mat, 1.25 inches dual foam, black 14 oz. vinyl cover.

Warranty: Six years parts, one year electronics and labor

See full warranty for details.